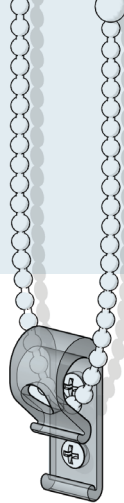


## CORD GUIDE INSTALLATION INSTRUCTIONS

Installed Cord Guide



### Tools Required:



Drill



Cord  
Guide



Two  
screws



Pencil/  
Marker

- 1 Attach the cord guide to the chain by pushing the blind chain through the guide slot until it is trapped within the loop.
- 2 Gently release both the guide and the chain so that they hang freely, with the guide pointing downwards.
- 3 Lightly pull on the cord guide until the chain goes taut and place it against the window frame. Hold it in that position with one hand, and attempt to operate the chain with the other. Ensure that you are still able to raise and lower the blind. If it is too difficult to raise/lower the blind, increase the height of the cord guide. If it is too loose, and able to form a loop larger than 220mm, pull the cord guide downwards.
- 4 When you have found a position for the cord guide that allows for the chain to be taut, yet still comfortable to operate, you can begin to secure it to your window frame. Without moving the cord guide, locate the two screw holes and use your pencil/marker to mark on the frame where the holes should be.
- 5 Then, using the square drive, screw in the first screw, starting from the bottom of the cord guide. As you screw, hold the top of the cord guide flat against the wall. Ensure that the bottom of the chain cord is well fastened, then screw in the second screw to the top of the cord guide.

### Important info

- This cord guide must be installed in such a way that a loose cord cannot form a loop 220mm or larger at a height of less than 1600mm above floor level to avoid creating a possible strangulation hazard for children.
- Note that this cord guide CAN be installed under a height of 1600mm above floor level, as long as the cord guide is sturdy and such a loop cannot be formed.
- Any cord guide installed lower than 1600 mm above floor level must be capable of withstanding a tension force of 70 N applied in any direction for 10 seconds.

A force of 70 N is approximately equal to applying a 7-kilogram weight and has been assessed as the likely amount of force a child may exert on a blind cord guide by grabbing, pulling or hanging on it.

# Roller blind

## INSTALLATION GUIDE



### IMPORTANT: Please read all instructions before starting.

- Extreme care must be taken when transporting, moving, storing & unwrapping blinds as the fabric can easily become marked or dented. Aspect recommends wearing clean, white gloves when handling blinds.
- Please do not remove blinds from their protective packaging until you have matched them to the correct location.
- **Child safety tensioners must be fitted to all chains without exception.**

**For difficult installations, please contact your Aspect Expert. These instructions are intended as a guide for basic installations only.**

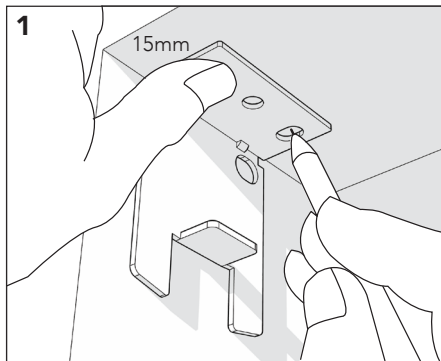
### Recommended Equipment:

- Clean white gloves
- Ladder (2 people may be required if above 2.8 metres)
- Square drive screwdriver and appropriate screws for what you are fixing into
- Pencil
- Square
- Tape Measure
- Eye Protection
- Packers
- Toggles

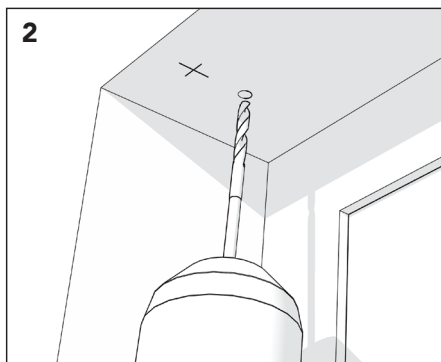
## MOUNTING SINGLE BLINDS ASPECT SET 11

### Ensure the blind will clear any obstructions like mullions, handles etc.

Use a pencil to mark where you want the brackets. We recommend fixing internally fitted blinds approximately 15mm in from the front edge.

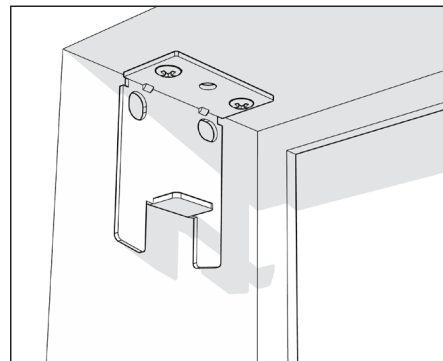


Position the brackets, so they are on the correct side of the window frame. The male control bracket should be fitted to the chain side and the female bracket to the pin end.

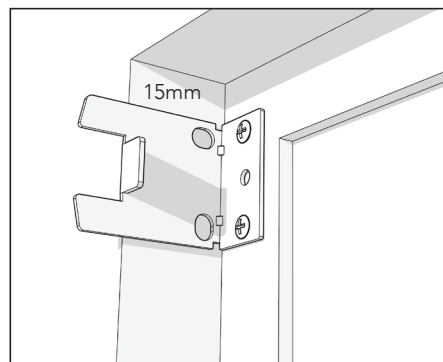


Drill a pilot hole using a drill bit smaller than your screw, then screw the brackets in. Eye protection should be worn.

The brackets can be installed 2 ways. This is the most common way:

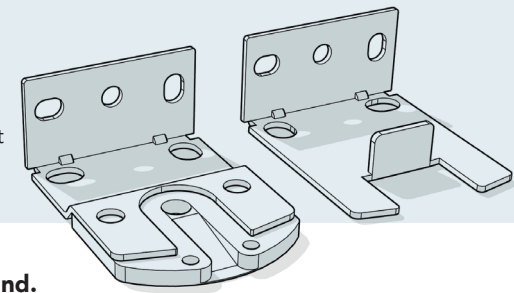


Alternative fitting



Brackets can also be turned this way if you have a narrow frame or don't have enough clearance.

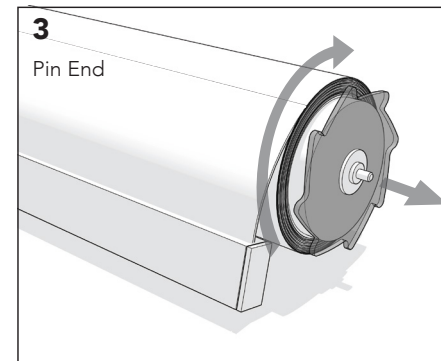
Female Bracket for Pin End



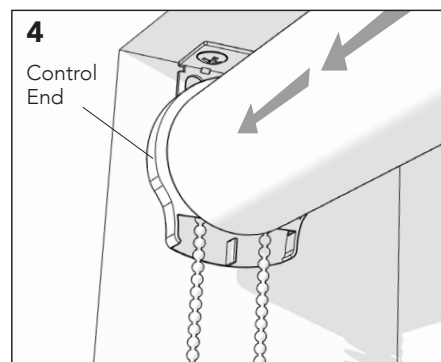
Male Bracket for Control End

### Now you can hang your blind. For large blinds, more than one person may be required.

Firstly rotate the clear disc on the pin end to fully retract the pin.

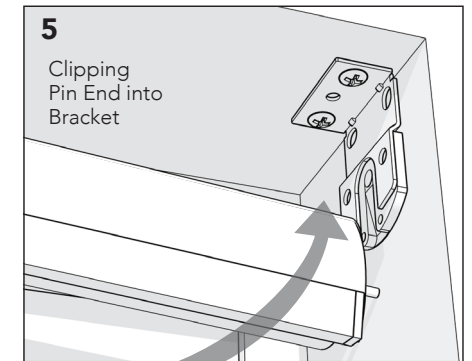


Always fit the control end first.

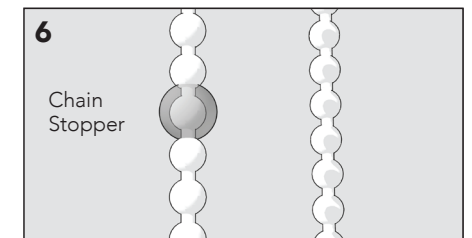


Line up the control end of the bracket, it should slot into the centre.

Keep supporting the blind so it doesn't drop down and move to the pin end. Release the pin slightly and then push it up from the bottom of the bracket. If it is fitted correctly, you will hear the pin lock into place.



The pin assembly is spring-loaded. When you start guiding the spring-loaded pin toward the hole, it will retract until it slots into the hole, making a noise.



Check the blind is functioning correctly. Using the chain, roll the blind all the way down and then back up.

Attach the clear plastic chain stopper to the chain. It will take some trial and error locating the chain stopper for the top and bottom positions.